

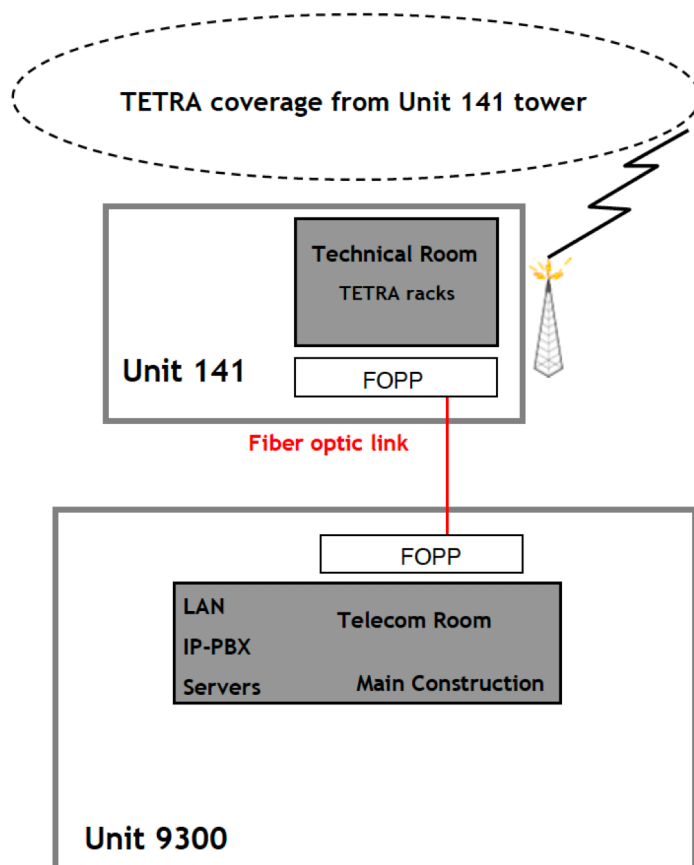
TELECOM SYSTEM DESCRIPTION

NEVER USED, NEVER ASSEMBLED—This telecom system includes all equipment necessary for radio, telephone, internet, and computer network communication and was designed to be installed at a remote job site.

This system includes the following main features and equipment:

- The Tetra Radio Network for Radio communications based on the ROHILL solution
- The fixed telephone network for the VoIP Telephony provided by Alcatel Lucent OmniPCX Enterprise IP-PBX
- The LAN supporting VoIP Telephony communications and data communications (office appliances, CAD) built on Alcatel Lucent Layer 3 / Layer 2 Switches
- The IT Sub System (Servers, PCs, Work Stations, printers)
- The VoIP Telephony Network
- The Optical Fiber Sub-System

ID	10C-AR-05
OEM	Alcatel-Lucent
YOM	2013
LOCATION	WAREHOUSE, DUNKIRK FRANCE
CONDITION	NEVER USED
PACKAGING	ORIGINAL CRATES



YOU MINE. WE SELL.

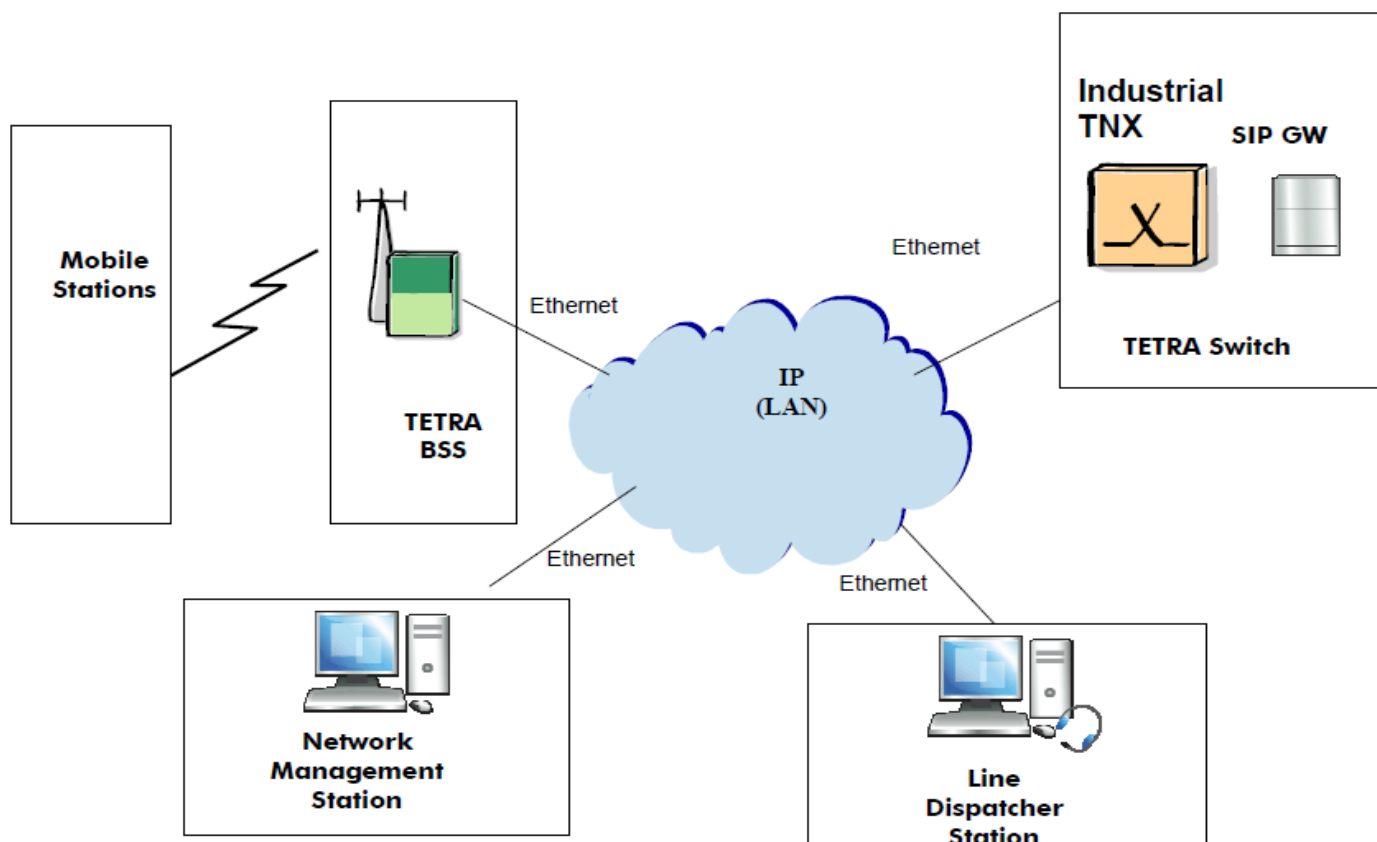
+1 (530) 534-7965
info@amking.com

TELECOM SYSTEM

TETRA RADIO NETWORK ARCHITECTURE

The TETRA Radio Network includes the following components:

- TETRA BSS (Base Station System) :
 - “TetraNode” Base Station transceiver (TBS)
 - Antenna system
- • TETRA Switch:
 - “TetraNode” eXchange (TNX): TETRA Core Switching
 - “TetraNode” SIP Gateway : TETRA Gateway for interconnection to the Fixed Telephone sub-system
- TETRA Management & Dispatching
- TETRA Mobile Stations



YOU MINE. WE SELL.

+1 (530) 534-7965
info@amking.com

Pre-Owned Mining, Processing & Construction Equipment Since 1979

TELECOM SYSTEM

EQUIPMENT LIST

Item	material	Quantity	supplier	Additional information	
1	Optic network				
1.1	Optic patch panel	9	HEXANS	TOCB Optical Subrack 12/48 with an optional jumpers storage module	
1.2	optic cable management				
1.11	optic patch cord 1m	100		Optical patch cord 1m: FC/APC - LC	
1.12	optic patch cord 100m	10		Optical patch cords 100m: LC-LC	
2	IT equipment				
2.1	Routeur - switch Layer 3	2	Alcatel-Lucent / Comafrique	Omniswitch 6850 U 24X	
2.2	SFP GE for router - switch layer 3	20		SFP-GIG-LX	
2.3	Firewall	2	Fortinet / Comafrique	FORTINET FG60-B	
2.4	Switch PEO	9	Alcatel-Lucent / Comafrique	Omniswitch 6850-P24	
2.5	Switch	9		Omniswitch 6850 24 ports	
2.6	Switch PEO	1		Omniswitch 6850-P24	
2.7	Switch	1		Omniswitch 6850 24 ports	
2.8	Switch	1		Omniswitch 6850 24 ports	
2.9	Analog gateway 8 ports	1		Audiocodes, 8 ports needed	
2.10	Switch PEO	1		Omniswitch 6850-P24	
2.11	Analog gateway 8 ports	1		Audiocodes, 8 ports needed	
2.12	Switch PEO	1		Omniswitch 6850-P24	
2.13	Analog gateway 12 ports	1		Audiocodes, 14 ports needed	
2.14	SFP GE for routers and switches	17		SFP-GIG-LX	
2.15	Stacking cable, 60 Centimers	20		OS6250 60 centimeters long HDMI stacking	
	Jarretières optique, 3	28		HEXANS	Optical patch cords 3m : FC/APC -FC/APC
3	Server equipments				
3	Server	5		Hewlett Packard	HP DL380
3.1	- Flate Monitor 17", QWERTY keyboard, 3 boutons wheel mouse	2	Hewlett Packard	HP TFT7600	
3.3	HD 72 Go Hot swap	10		HP 146Go 10K rpm SAS 2.5 Dual	
3.4	DD hot swap 300Go	20		HP 300Go SATA 300	
3.5	- Backup Unit LTO 3 Library	1		1U HP Surestore SCSI tape autoloader G2 with 1 LTO-2 Ultrium 448 tape drive and 8 tape slots	
3.6	- Switch Keyboard/Mouse/Monitor rack mounted	1		8-port keyboard-video-mouse switch	
3.7	- Domain Controller + DHCP + DNS Server	2		HP DL 120 G6	



YOU MINE. WE SELL.

+1 (530) 534-7965
info@amking.com

Pre-Owned Mining, Processing & Construction Equipment Since 1979

TELECOM SYSTEM EQUIPMENT LIST

3.9	- Combo CD Writer/DVD Reader external USB2.0/FIREWIRE	4	Hewlett Packard	HP F5943AA HP External USB Drive DVD/CDRW
3.10	- Hard drive external USB2.0/FIREWIRE 1TBytes	2		Hard drive external USB2.0
3.11	- Storage Backup LTO cartridges	100		HP Ultrium 200GB data cartridge - pack of 20
	cleaner cartridge	2		HP Ultrium universal cleaning cartridge
3.12	- Fire safe storage for backup tapes	1	Buroplus	ARMOIRE IGHIFUGE MEDIA 59L CLE
3.13	3D Cad workstation	3	Hewlett Packard	HP Z400
3.14	- Review Workstation	4		HP Z600
3.15	- Desktop Personal Computer	74		HP 6000 Pro PC and monitor HP LE1901
3.16	laptop	20		HP8540
3.17	Individual ups	20	APC	APC SurgeArrest + Battery Backup 325VA
3.18	- Network B&W printer A3/A4 size	4	Hewlett Packard	HP5200T11
3.19	- A0 Inkjet Plotter	2		HP T770
3.20	- Network B&W A3/A4 Multi-function Printer/Copier	4		HP M5035XS
3.21	- Network Color A3/A4 Multi-function Printer/Copier	4		HP CP5525 or HP CM6030
3.23	Camera 10 Mbps	5	Canon	Canon PowerShot SX130 IS
3.25	- Toner for the printer	30	Hewlett Packard	Toner for HP 5200T11
3.26	set of ink for network color printer	30		Toner for HP T770
3.27	- Set of ink for color printer	30		Toner for HP M5035
3.28	- Set of printhead for color printer	3		Printhead for HP T770
3.29	- Toner for the printer	30		Toner for HP CP5525
4	SOFTWARE SYSTEM			
	Operating System & Utilities - Covers software licences only			
4.1	- Windows 2003 Server (Server Operating System)	5	Microsoft	
4.3	- Virus protection (Workstation & Server)	94	Trend Micro	
4.4	- NetBackup software	1	Symantec	
4.5	- MS ISA Server (proxy)	1	Microsoft	
4.6	- Lotus Domino server	1	IBM	
4.7	- Ghost	94	Horton	
4.8	Office Automation			
4.9	- MS Office XP Standard ed.	94	Microsoft	
4.10	- MS Access	15		
4.11	- MS Project	5		



YOU MINE. WE SELL.

+1 (530) 534-7965
info@amking.com

Pre-Owned Mining, Processing & Construction Equipment Since 1979

TELECOM SYSTEM

EQUIPMENT LIST

4.12	- Adobe Acrobat standard	94	Adobe	
4.13	- Lotus Notes Client	94	IBM	
	CAD Automation			
4.14	- Microstation 07.01.05.03	10	Bentley	
4.15	- Autocad LT 2009	10	Autodesk	
4.16	- PDMS 3D	3	Aveva	
4.17	- Review Reality	4	Aveva	
	Application Software			
4.18	- Primavera project planner	5	Oracle	
4.19	- EDMS (Document Management System)	1		
4.20	- CPMS	1,00		
4.21	- Smartplant Instrumentation	1,00	Intergraph	
4.22	- MMS (Material Management System)	1		
6	Telephone			
6.1	Telephone IPBX system	1	Alcatel-Lucent / Comafrique	Omni PCX ALCATEL OXE
	IP Touch 4068	1		Alcatel-Lucent IP Touch 4068 Phone / 3GV27062FB
6.2	IP phone	131		Alcatel-Lucent IP Touch 4018 Phone / 3GV27063FB
6.3	IP phone	14		Poste Thomson T170
6.4	analog phone	14		
6.5	analog phone	6		
6.6	analog phone	6		
6.7	Telephone Satellite	2	Iridium	Téléphone Satellite Iridium type 9555
6.8	Fax	3	Brother	Fax type 8360P Telecopieur
7	UHF digital radio system			
7.1	Handheld terminal	55	Sepura	SEPURA STP 8000 serie TETRA handled with GPS
7.2	ATEX Handheld terminal	10	Setex (Sysoco)	Puma T3 Plus EX
7.3	USB data cable +CD	1	Sepura	SEPURA radio manager lite - 1 clint 1000 TEI
7.6	VME terminal	1		
7.7	Antenna	3	Kathrein or equivalent	



YOU MINE. WE SELL.

+1 (530) 534-7965
info@amking.com

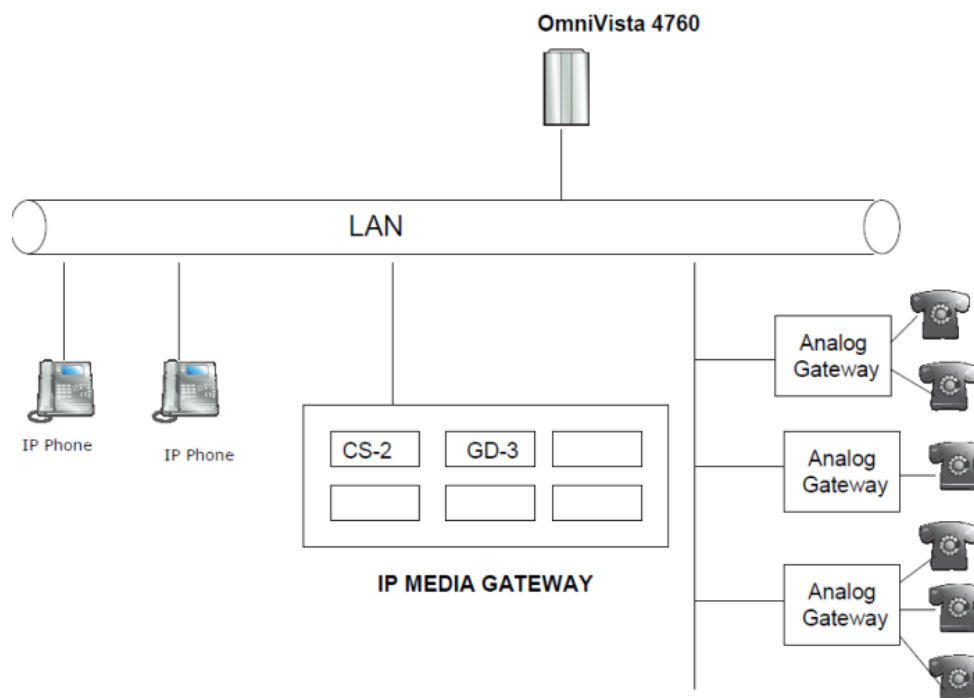
Pre-Owned Mining, Processing & Construction Equipment Since 1979

TELECOM SYSTEM

EQUIPMENT LIST

7.8	Base station (duplexer + synchronisation unit bts transceiver)	1	Rohill	duplexer + synchronisation unit bts transceiver
7.10	Switch/Router	1	Rohill	ETRAInode eXchange - IP switch, TIIX IP switch TIIX switch and SIP GW
7.11	antenna mounting kit	3	Kathrein	Omnidirectional antennas K7516211
7.12	lightning arrestor	3	Kathrein	
7.13	coaxial cable	100		
7.14	terminal program software	1	Sepura	Sepura SRG3900 TETRA radio
8	Cable			
8.2	12 core optic cable (m)	5000	Drakka	MidiCT2 type
8.3	telephone cable 2p	5000	ACOM	SYT+ digital C1 R7309Z
8.4	terminal block	16	Hexans	Modular terminal block COMPAX
8.5	Terminal block support 19"	4		

OmniPCX Enterprise IP Media Gateway



YOU MINE. WE SELL.

+1 (530) 534-7965
info@amking.com

Pre-Owned Mining, Processing & Construction Equipment Since 1979

APPENDIX A
TELECOM SYSTEM
PACKING LIST



YOU MINE. WE SELL.

+1 (530) 534-7965
info@amking.com

						SUPPLIER - Fournisseur -		PACKING LIST		PL		N° PL2076		
						ALCATEL-LUCENT		Liste de colisage		N° PO Chrono		Activité-Unité		
								IM 12010		PO		9806J		
								Code Eng		N° ordre		avt		
								1530		601		05		
								Number of Packages		Total Net Weight		Total Gross Weight		
								Nombre de colis		Poids Net Total		Poids Brut Total		
								23		4 557 KGS		6 461 KGS		
										Total Volume		Volume Total		
										46.75 M3				
Package N°	Type of Package	Unit weight in Kg		Measurement (in centimeters)			Unit volume in	ITEM / TAG	Quantity	Description of goods			Storage	
Colis N°	Nature du colis	Poids unitaire en Kg		Length x Width x Height			Volume unitaire en m3	N°	Quantités	Désignation des marchandises			Code	
		Net	Gross	Dimensions (en centimeters)									Stockage	
		Net	Brut	Longueur x Largeur x Hauteur										
1 / 23	SEI 4C	177	275	97	x	97	x	236	2,221	Cabinet 1.01	1	Cabinet, fully equipped	Site B130-01	XXXX
										Cabling 1.02	2	36 port FOFP SC		
										Cabling 1.06	1	48 port CAT6 PP		
										Cabling 1.07	1	CAT6 1 meter patch cord		
										LAN 2.01	1	OS6850-P48, single AC power supply unit		
										LAN 2.02	1	OS6850-48, single AC power supply unit		
										LAN 2.04	2	SFP GE LX		
2 / 23	SEI 4C	177	275	97	x	97	x	236	2,221	Cabinet 1.01	1	Cabinet, fully equipped	Site B135-02	XXXX
										Cabling 1.02	2	36 port FOFP SC		
										Cabling 1.06	1	48 port CAT6 PP		
										Cabling 1.07	1	CAT6 1 meter patch cord		
										LAN 2.01	1	OS6850-P48, single AC power supply unit		
										LAN 2.02	1	OS6850-48, single AC power supply unit		
										LAN 2.04	2	SFP GE LX		
3 / 23	SEI 4C	177	275	97	x	97	x	236	2,221	Cabinet 1.01	1	Cabinet, fully equipped	Site B133-01B	XXXX
										Cabling 1.02	2	36 port FOFP SC		
										Cabling 1.06	1	48 port CAT6 PP		
										Cabling 1.07	1	CAT6 1 meter patch cord		
										LAN 2.01	1	OS6850-P48, single AC power supply unit		
										LAN 2.02	1	OS6850-48, single AC power supply unit		
										LAN 2.04	2	SFP GE LX		
4 / 23	SEI 4C	177	275	97	x	97	x	236	2,221	Cabinet 1.01	1	Cabinet, fully equipped	Site B133-03	XXXX
										Cabling 1.02	2	36 port FOFP SC		
										Cabling 1.06	1	48 port CAT6 PP		
										Cabling 1.07	1	CAT6 1 meter patch cord		
										LAN 2.01	1	OS6850-P48, single AC power supply unit		
										LAN 2.02	1	OS6850-48, single AC power supply unit		
										LAN 2.04	2	SFP GE LX		
5 / 23	SEI 4C	177	275	97	x	97	x	236	2,221	Cabinet 1.01	1	Cabinet, fully equipped	Site B133-05	XXXX
										Cabling 1.02	2	36 port FOFP SC		
										Cabling 1.06	1	48 port CAT6 PP		
										Cabling 1.07	1	CAT6 1 meter patch cord		
										LAN 2.01	1	OS6850-P48, single AC power supply unit		
										LAN 2.02	1	OS6850-48, single AC power supply unit		
										LAN 2.04	2	SFP GE LX		
6 / 23	SEI 4C	177	275	97	x	97	x	236	2,221	Cabinet 1.01	1	Cabinet, fully equipped	Site B134-02	XXXX
										Cabling 1.02	2	36 port FOFP SC		
										Cabling 1.06	1	48 port CAT6 PP		
										Cabling 1.07	1	CAT6 1 meter patch cord		
										LAN 2.01	1	OS6850-P48, single AC power supply unit		
										LAN 2.02	1	OS6850-48, single AC power supply unit		
										LAN 2.04	2	SFP GE LX		
7 / 23	SEI 4C	177	275	97	x	97	x	236	2,221	Cabinet 1.01	1	Cabinet, fully equipped	Site B133-02	XXXX
										Cabling 1.02	2	36 port FOFP SC		
										Cabling 1.06	1	48 port CAT6 PP		
										Cabling 1.07	1	CAT6 1 meter patch cord		
										LAN 2.01	1	OS6850-P48, single AC power supply unit		
										LAN 2.02	1	OS6850-48, single AC power supply unit		
										LAN 2.04	2	SFP GE LX		
8 / 23	SEI 4C	185	283	97	x	97	x	236	2,221	Cabinet 1.01	1	Cabinet, fully equipped	Site B130-02	XXXX
										Cabling 1.02	2	36 port FOFP SC		
										Cabling 1.06	1	48 port CAT6 PP		
										Cabling 1.07	2	CAT6 1 meter patch cord		
										LAN 2.01	1	OS6850-P48, single AC power supply unit		
										LAN 2.02	1	OS6850-48, single AC power supply unit		
										LAN 2.04	2	SFP GE LX		
										Telephony 3.01	1	8 port Media Gateway / Power cable		

9 / 23	SEI 4C	229	327	97	x	97	x	236	2,221	Telephony 3.07 Cabinet 1.01 Cabling 1.02 Cabling 1.06 Cabling 1.07 LAN 2.01 LAN 2.02 LAN 2.03 LAN 2.04 LAN 2.05 Hotline 4.02	2 1 6 1 5 2 2 2 8 6 1	Terminal block + protection cartridge Cabinet, fully equiped 36 port FOFP SC 48 port CAT6 PP CAT6 1 meter patch cord OS6850-P48, single AC power supply unit OS6850-48, single AC power supply unit OS6850-U24X, single AC power supply unit SFP GE LX Stacking cable 30 cm Rack mounting kit for hotline server / Battery rack	Site B133-06 ECR 14	XXXX
TOTAL partial TOTAL partiel		1 653	2 535						20			Country of origin/Pays d'origine : France, Germany, U.K., U.S.A., China, Taiwan	Page N°	1 / 3

							SUPPLIER - Fournisseur - ALCATEL-LUCENT			PACKING LIST <i>Liste de colisage</i>			PL N° PL2076					
							N° PO Chrono IM 12010		PO	Activité-Unit 9806J	Code Eng 1530	N° ordre 601	avt 05					
							Number of Packages <i>Nombre de colis</i> 23		Total Net Weight <i>Poids Net Total</i> 3 063 KGS		Total Gross Weight <i>Poids Brut Total</i> 4 661 KGS		Total Volume <i>Volume Total</i> 36,88 M3					
Package N° <i>Colis N°</i>			Type of Package <i>Nature du colis</i>	Unit weight in Kg <i>Poids unitaire en Kg</i>		Measurement (in centimeters) <i>Length x Width x Height</i> <i>Dimensions (en centimeters)</i> <i>Longueur x Largeur x Hauteur</i>				Unit volume in <i>Volume unitaire en</i> <i>m3</i>	ITEM / TAG <i>N°</i>		Quantity <i>Quantités</i>	Description of goods <i>Désignation des marchandises</i>			Storage <i>Code</i> <i>Code</i> <i>Stockage</i>	
				Net <i>Net</i>	Gross <i>Brut</i>													
10 / 23			SEI 4C	191	289	97	x	97	x	236	2,221	Cabinet 1.01	1	Cabinet, fully equipped			Site B151-01	XXXX
												Cabling 1.02	2	36 port FOPP SC				
												Cabling 1.06	1	48 port CAT6 PP				
												LAN 2.01	2	OS6850-P48, single AC power supply unit				
												LAN 2.02	2	OS6850-48, single AC power supply unit				
												LAN 2.04	4	SFP GE LX				
												LAN 2.05	4	Stacking cable 30 cm				
11 / 23			SEI 4C	233	331	97	x	97	x	236	2,221	Cabinet 1.01	1	Cabinet, fully equipped			Site B141-01	XXXX
												Cabling 1.02	7	36 port FOPP SC				
												Cabling 1.06	1	48 port CAT6 PP				
												Cabling 1.07	8	CAT6 1 meter patch cord				
												LAN 2.01	2	OS6850-P48, single AC power supply unit				
												LAN 2.02	2	OS6850-48, single AC power supply unit				
												LAN 2.03	2	OS6850-U24X, single AC power supply unit				
												LAN 2.04	14	SFP GE LX				
												LAN 2.05	6	Stacking cable 30 cm				
												Telephony 3.01	2	8 port Media Gateway / Power cable				
												Telephony 3.07	4	Terminal block + protection cartridge				
12 / 23			SEI 4C	171	269	97	x	97	x	236	2,221	Cabinet 1.01	1	Cabinet, fully equipped			Site B143-01	XXXX
												Cabling 1.02	1	36 port FOPP SC				
												Cabling 1.06	1	48 port CAT6 PP				
												Cabling 1.07	1	CAT6 1 meter patch cord				
												LAN 2.01	1	OS6850-P48, single AC power supply unit				
												LAN 2.04	2	SFP GE LX				
												Telephony 3.01	1	8 port Media Gateway / Power cable				
												Telephony 3.07	2	Terminal block + protection cartridge				
13 / 23			SEI 4C	171	269	97	x	97	x	236	2,221	Cabinet 1.01	1	Cabinet, fully equipped			Site B141-07	XXXX
												Cabling 1.02	1	36 port FOPP SC				
												Cabling 1.06	1	48 port CAT6 PP				
												Cabling 1.07	1	CAT6 1 meter patch cord				
												LAN 2.01	1	OS6850-P48, single AC power supply unit				
												LAN 2.04	2	SFP GE LX				
												Telephony 3.01	1	8 port Media Gateway / Power cable				
												Telephony 3.07	2	Terminal block + protection cartridge				
14 / 23			SEI 4C	177	275	97	x	97	x	236	2,221	Cabinet 1.01	1	Cabinet, fully equipped			Site B143-21-DELMAS	XXXX
												Cabling 1.02	1	36 port FOPP SC				
												Cabling 1.06	1	48 port CAT6 PP				
												Cabling 1.07	1	CAT6 1 meter patch cord				
												LAN 2.01	1	OS6850-P48, single AC power supply unit				
												LAN 2.04	2	SFP GE LX				
												Telephony 3.01	1	8 port Media Gateway / Power cable				
												Telephony 3.07	2	Terminal block + protection cartridge				
15 / 23			SEI 4C	171	269	97	x	97	x	236	2,221	Cabinet 1.01	1	Cabinet, fully equipped			Site B143-10-BIA	XXXX
												Cabling 1.02	1	36 port FOPP SC				
												Cabling 1.06	1	48 port CAT6 PP				
												Cabling 1.07	1	CAT6 1 meter patch cord				
												LAN 2.01	1	OS6850-P48, single AC power supply unit				
												LAN 2.04	2	SFP GE LX				
												Telephony 3.01	1	8 port Media Gateway / Power cable				
												Telephony 3.07	2	Terminal block + protection cartridge				
16 / 23			SEI 4C	296	424	207	x	109	x	158	3,565	Cabinet 1.01	1	Cabinet, fully equipped / Equipments and accessories for site B145-01A				XXXX
												Cabling 1.02	1	36 port FOPP SC / for site B145-01A				
												Cabling 1.02	36	36 port FOPP SC / kit of splices and adaptors				
												Cabling 1.06	1	48 port CAT6 PP / for site B145-01A				
												Cabling 1.07	274	CAT6 1 meter patch cord				
												Cabling 1.08	150	RJ45 plug - single outlet				
												LAN 2.01	1	OS6850-P48, single AC power supply unit / for Site B145-01A				

					LAN	2.02	1	OS6850-48, single AC power supply unit / for Site B145-01A	
					LAN	2.02	3	OS6850-48, single AC power supply unit	
					LAN	2.04	22	SFP GE LX	
					LAN	2.05	2	Stacking cable 30 cm	
					LAN	2.01	41	OS6850xxxx / Certificate of Purchased Software for OAS Omniswitch OS6850E Advance Routing Software Module	
						2.02			
						2.03			
					LAN	2.06	1	Omnivista network management software licence	
					LAN	2.07	1	Omnivista workstation hardware	
					Telephony	3.02	64	Analog telephone	
					Telephony	3.03	15	4038 telephone	
					Telephony	3.07	8	Terminal block + protection cartridge	
					Telephony	3.08	4	Punch tool for terminal block	
					Hotline	4.01	15	Indoor Hotline telephone	
					Hotline	4.02	1	Hotline server with IP attendant desktop phone	
					Spare	7.01	1	Spare kit (part 1/3)	
TOTAL	3 063	4 661		37				Country of origin/Pays d'origine : France, Germany, U.K., U.S.A., China, Taiwan	Page N° 2 / 3

Package N°		Type of Package	Unit weight in Kg <i>Poids unitaire en Kg</i>		Measurement (in centimeters) Length x Width x Height <i>Dimensions (en centimeters) Longueur x Largeur x Hauteur</i>				Unit volume in Volume unitaire en M3	ITEM / TAG N°	Quantity <i>Quantités</i>	Description of goods <i>Désignation des marchandises</i>	Storage Code Code <i>Stockage</i>		
Colis N°		Nature du colis	Net <i>Net</i>	Gross <i>Brut</i>											
17	/	23	SEI 4C	196	305	222	x	92	x	110	2,247	Cabinet 1.01 Cabling 1.03 Cabling 1.04 Cabling 1.05 Telephony 3.01 Telephony 3.04 Telephony 3.05 Telephony 3.06 Media conve5.01 CCTV 6.04 Spare 7.01	15 72 40 20 8 8 9 9 12 1 1	Cabinet, fully equiped / Clamp set for fixing cabinet on floor with cylinders feet (4 clamps per kit) Dual LC-SC 1 meter patch cord Dual SC-SC 1 meter patch cord Dual SC-SC 5 meter patch cord 8 port Media Gateway Junction box with cable gland DIN rail DIN rail support for all 19 inch rack Moxa IMC 101 with power supply, non POE 6 m tilted pole / Anchor and top Adaptor for camera Spare kit (poar 2/3)	XXXX
18	/	23	SEI 4C	73	73	40	x	40	x	600	0,960	CCTV 6.04 CCTV 6.01	1 1	6 m tilted pole / Pole Camera Fixed extreme with dust resistant window, no washer	XXXX XXXX
19	/	23	SEI 4C	119	161,6	120	x	100	x	90	1,080	CCTV 6.01b CCTV 6.02 CCTV 6.05 CCTV 6.06 CCTV 6.07 Spare 7.01	1 1 1 1 1 1	Camera Fixed extreme with dust resistant window, no washer? ATEX model Operator Workstation and screen Installation set JB ATEX model IP encoder Spare kit (3/3)	
20	/	23	SEI 4C	213	307	95	x	110	x	230	2,404	Cabinet 1.01 CCTV 6.03 CCTV 6.08	1 1 1	Cabinet, fully equiped / CCTV Server, storage unit (videorecorder) UPS for server and PC station, 30 minute autonomy	XXXX
21	/	23	SEI 4C	276	296	120	x	80	x	104	0,998	Cabling 1.09	5000	LAN CAT 7 cabling	XXXX
22	/	23	SEI 4C	154,6	174,6	120	x	80	x	90	0,864	Telephony 3.09	1000	Outdoor telephons cable	XXXX
23	/	23	SEI 4C	462,5	482,5	120	x	80	x	137	1,315	Telephony 3.09	3000	Outdoor telephone cable	XXXX
TOTAL				4 557	6 461					47			Country of origin/Pays d'origine : France, Germany, U.K., U.S.A., China, Taiwan	Page N° 3 / 3	